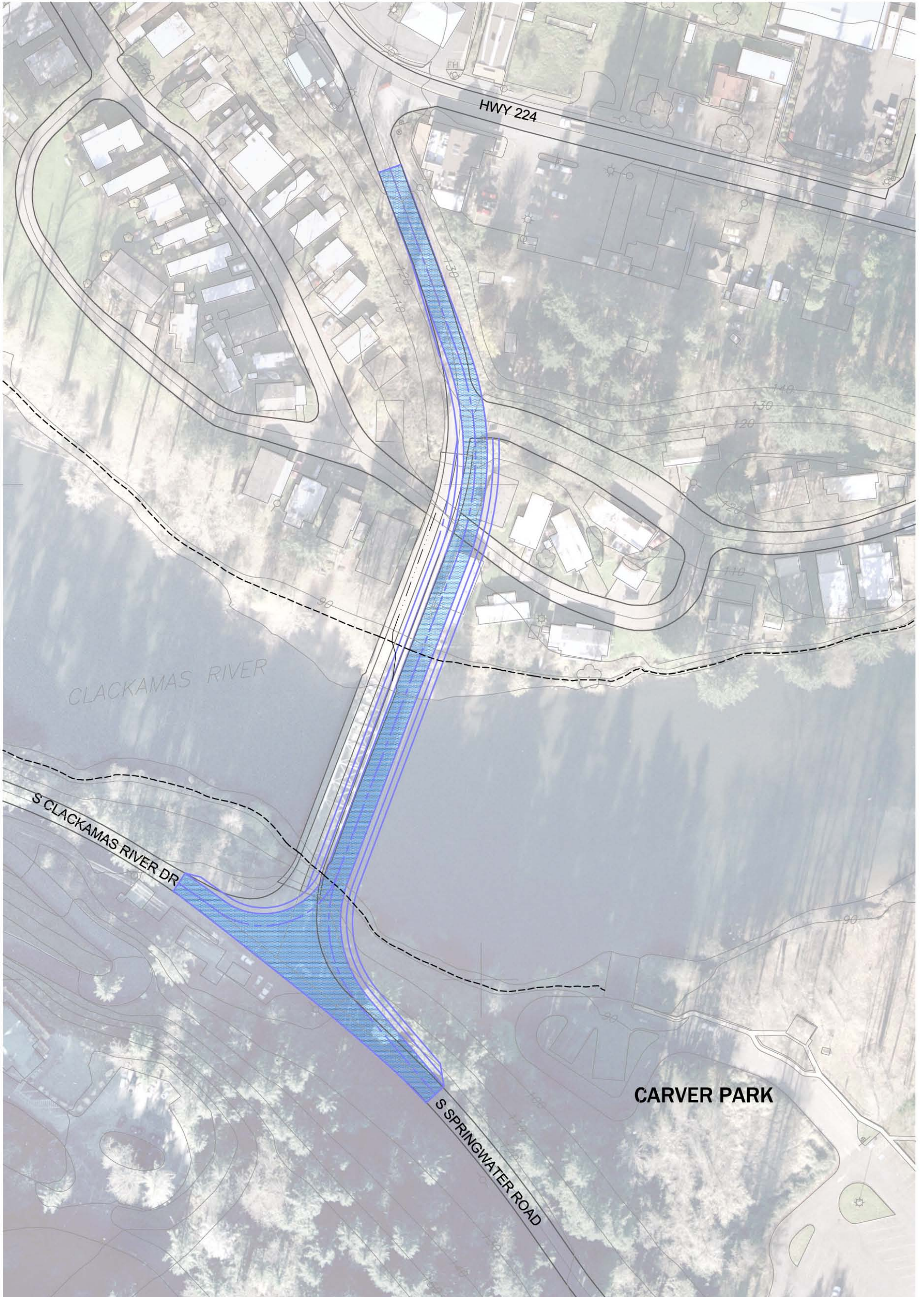
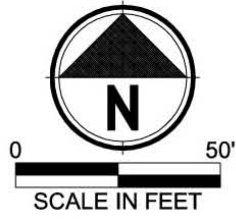
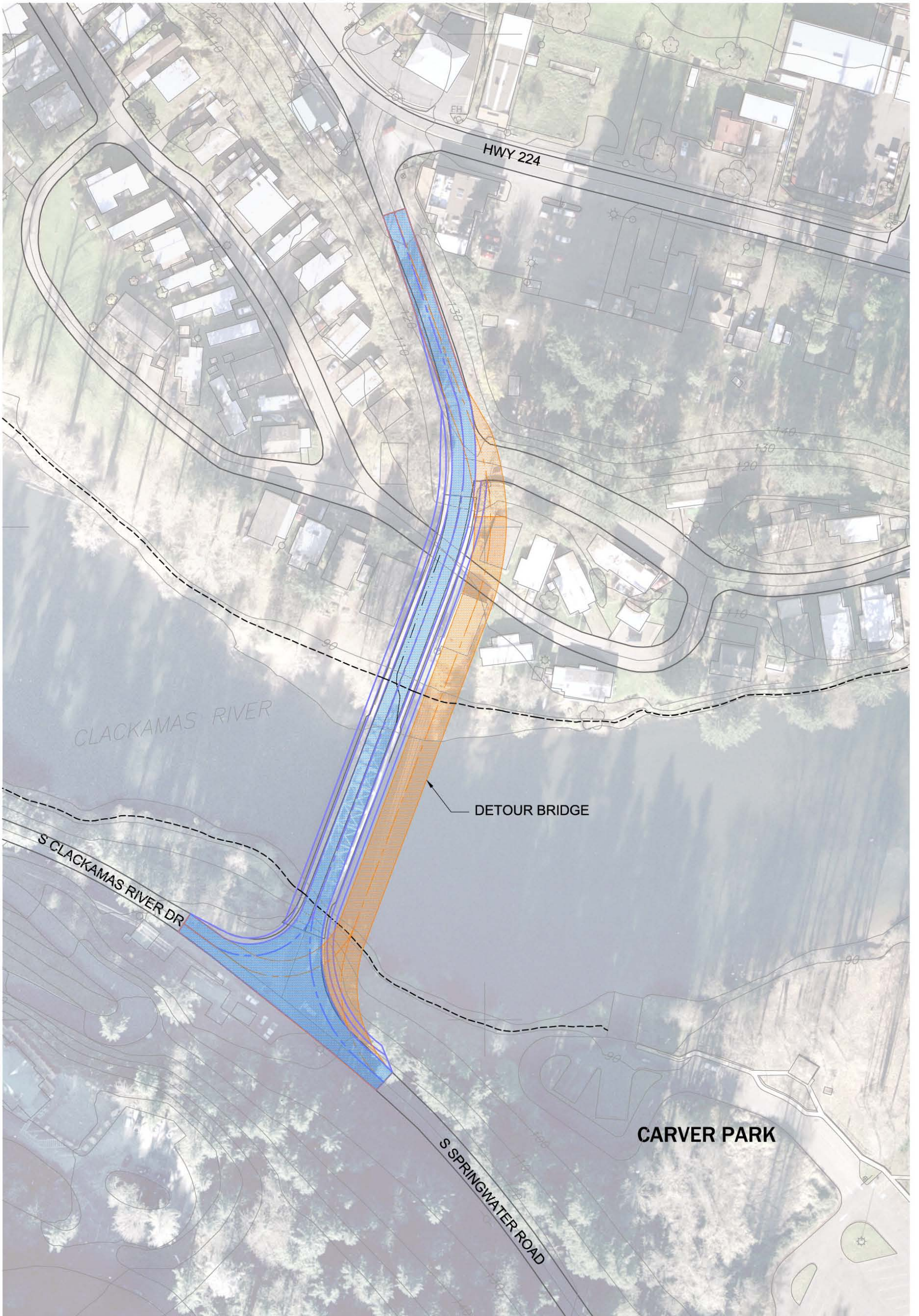


Staged Construction Option

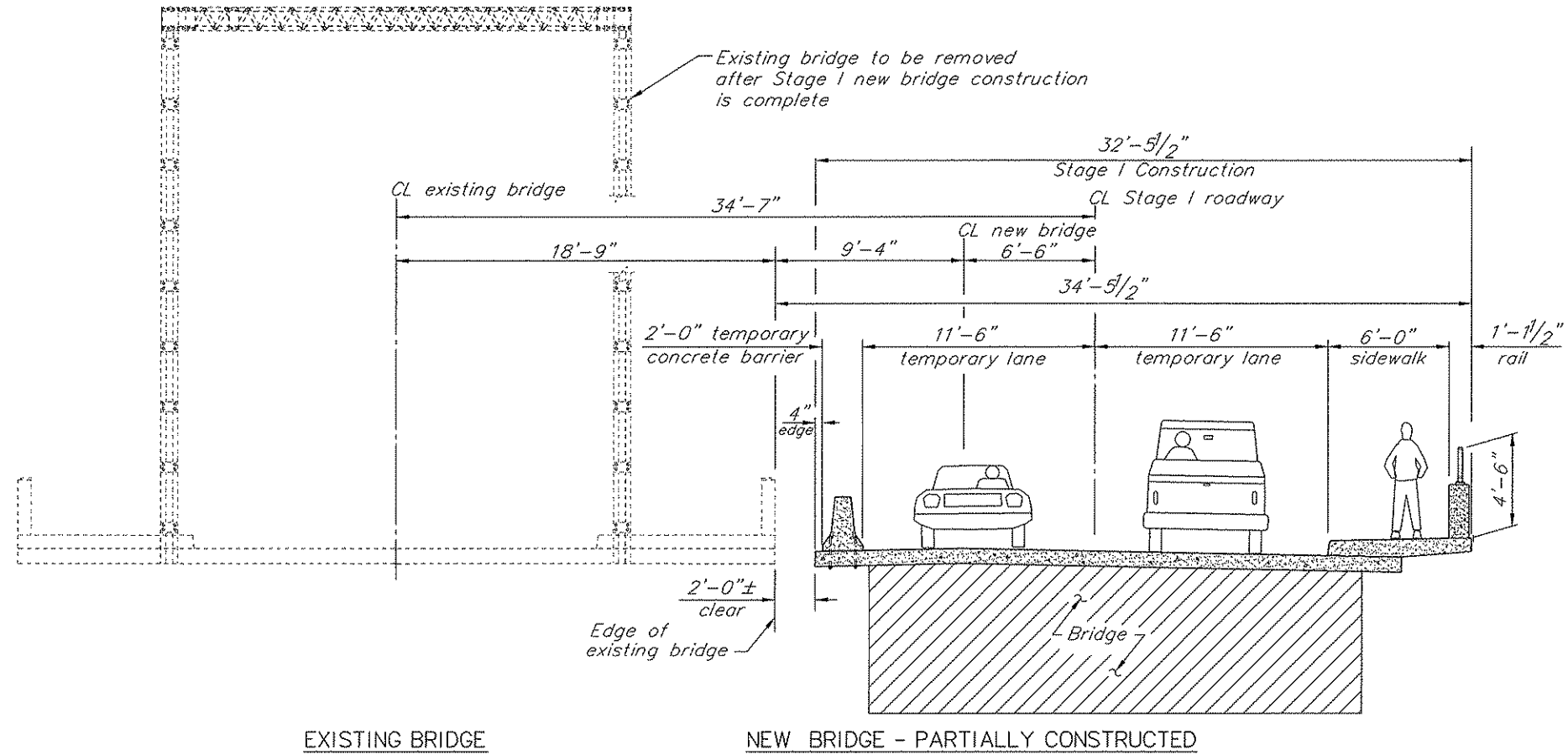




Temporary Detour Structure Option

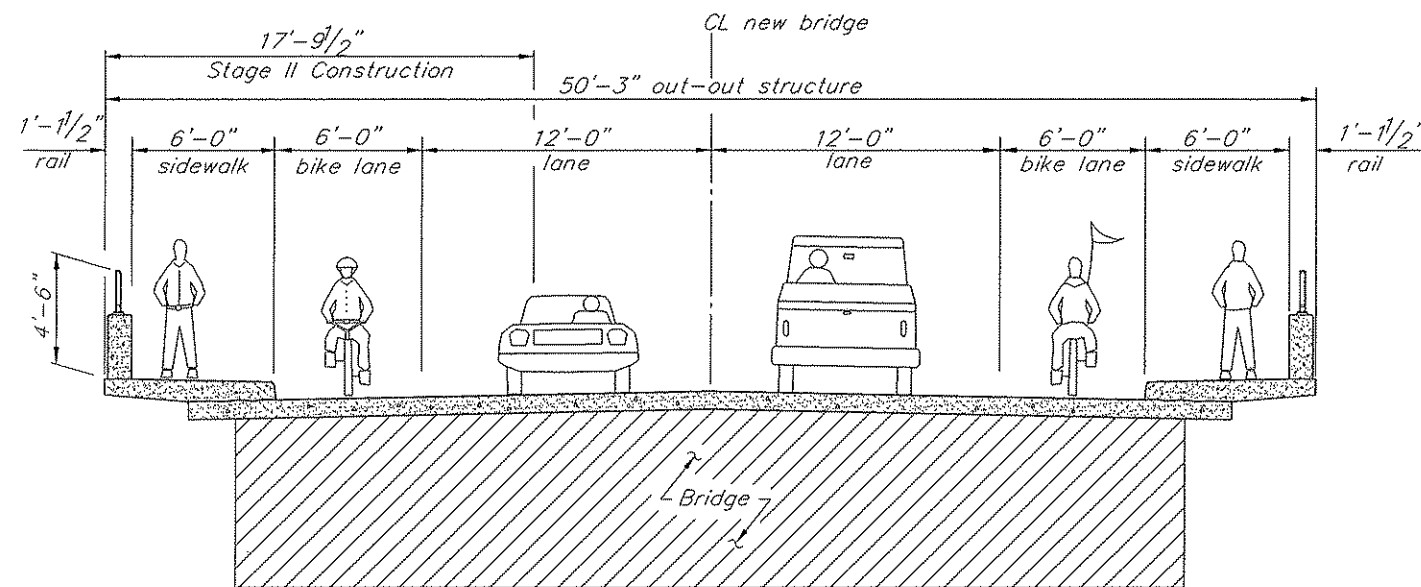


CONSTRUCTION OF BRIDGE - STAGED ALTERNATE



STAGE I CONSTRUCTION

1/4"=1'-0"



NEW BRIDGE CROSS SECTION

1/4"=1'-0"

